

EXPLOSIONPROOF CLAMP TYPE SANITARY LIGHT GLASS

The Series SLEX/SVTC & REX/SVTC combination explosion proof light and sanitary sight glass assembly. The anodized aluminum parts provide greater cleanliness and aesthetic appeal, making the unit highly popular for pharmaceutical applications. By designing a Series SVTC sanitary clamp type sight glass directly into a Series SLEX-/REX lighting fixture, Papailias allows the user to illuminate the contents of a pressurized vessel or pipeline with High-Intensity LED [HI-LED] or 100W Halogen lighting intensity on existing standard sanitary clamp style ferrules.

DESIGN & APPLICATION:

a. Compact and Adaptable: The SLEX-100/REX-100 is fitted with a Series SVTC sight glass. The lens of the sight glass is an integral part of the unit, not a loose part. The standard unit is suitable for 150PSIG and full vacuum with a maximum temperature limit 500°F. Higher temperature and pressure ratings are available.

b. Typical Applications: To provide bright, glare-free illumination of the interior of vessels, tanks, hoppers, silos, mixers, and other normally closed containers in hazardous locations requiring explosion-proof equipment is available with Halogen or High-Intensity LED [HI-LED] Lamps with various input voltage options.

c. Listing: UL-844, C-UL/CSA c22.2 No. 137 Listed for Explosionproof Areas; Class 1,2, Division 1,2; Groups C, D, E, F & G

STANDARD MATERIALS OF CONSTRUCTION:

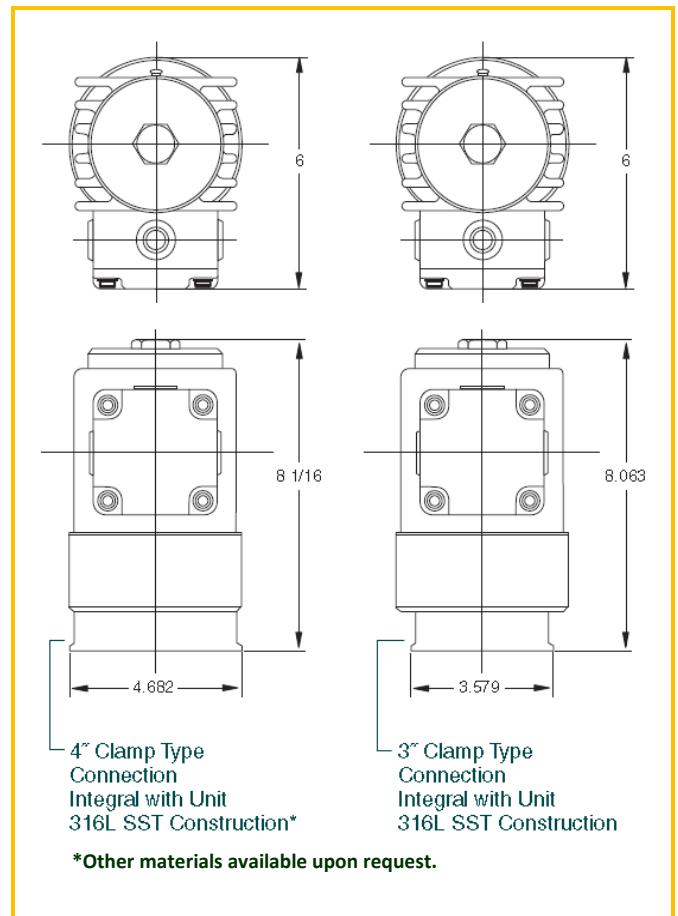
Description	Material/Specification
Main Housing :	T6601 Aluminum
Lamp:	Halogen or High-Intensity LED [HI-LED]
Switch:	External [by others], External [option]
Lens Housing:	T316L SST, Other [option]
Seal:	PTFE [Standard], Other [option]
Lens:	Tempered Borosilicate [standard] Quartz [option] Lexan [option HI-LED only], Other [option]

OPTIONS AND ACCESSORIES:

External Timer: P/N: PTR-N7-1-3 [Adjustable]
External Switch: P/N: SPST-NO-N7-00

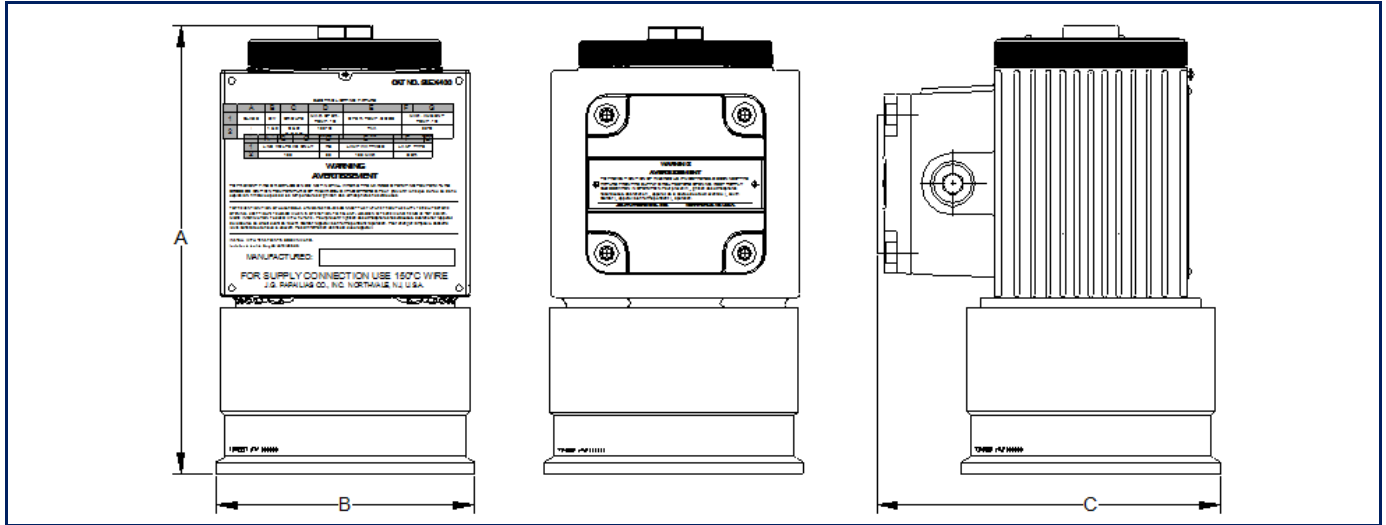


PAPAILIAS, Inc. Series SLEX, REX/4"SVTC Explosionproof Sanitary Clamp Type Light w. Integral Light Glass



PAPAILIAS, Inc. Series SLEX, REX/SVTC Schematic View

DATA SHEET | SERIES SLEX/REX-SVTC EXPLOSIONPROOF SANITARY LIGHT GLASS



Model	Clamp Size	A		B		C		Weight	
		in	mm	in	mm	in	mm	Lb	Kg
SLEX, REX - 3"SVTC	3"	8-1/16"	205	3.579"	91	6"	152	11	5
SLEX, REX/4"SVTC	4"	8-1/16"	205	4.682"	119	6"	152	11	5

Model No.	Lamp Type	Reflector	Volts	Watts	Class	Div	Group	Temp Code
SLEX-100-00/3"SVTC	Halogen	No	115	100	I	1,2	C, D	T4A
SLEX-100-00/4"SVTC					II	1	E, F, G	T4C
SLEX-100-01/3"SVTC	Halogen	No	230	100	I	1,2	C, D	T4A
SLEX-100-01/4"SVTC					II	1	E, F, G	T4C
SLEX-100-02/3"SVTC	Halogen	No	115	50	I	1,2	C, D	T4A
SLEX-100-02/4"SVTC					II	1	E, F, G	T4C
SLEX-100-03/3"SVTC	Halogen	No	230	50	I	1,2	C, D	T4A
SLEX-100-03/4"SVTC					II	1	E, F, G	T4C

REX-100-00/3"SVTC	Halogen	Yes	115	100	I	1	C, D	T2B
REX-100-00/4"SVTC								
REX-100-01/3"SVTC	Halogen	Yes	230	100	I	1	C, D	T2B
REX-100-01/4"SVTC								
REX-100-02/3"SVTC	Halogen	Yes	115	50	I	1	C, D	T2B
REX-100-02/4"SVTC								
REX-100-03/3"SVTC	Halogen	Yes	230	50	I	1	C, D	T2B
REX-100-03/4"SVTC								

HIGH INTENSITY LED:

Model No.	Lamp Type	Volts	Watts/Halogen Equivalent	Class	Div	Group	Temp Code
SLEX-HI-LED-00/3"SVTC	High Intensity LED [HI-LED]	115	5/100	I	1,2	C, D	T4A
SLEX-HI-LED-00/4"SVTC				II	1	E, F, G	T4C
SLEX-HI-LED-01/3"SVTC	High Intensity LED [HI-LED]	230	5/100	I	1,2	C, D	T4A
SLEX-HI-LED-01/4"SVTC				II	1	E, F, G	T4C
REX-HI-LED-00/3"SVTC	High Intensity LED [HI-LED]	115	5/100	I	1	C, D	T2B
REX-HI-LED-00/4"SVTC							
REX-HI-LED-01/3"SVTC	High Intensity LED [HI-LED]	230	5/100	I	1	C, D	T2B
REX-HI-LED-01/4"SVTC							